



2500-R/2500-L

Two Video with Alarm Signals Transmission Set

Product Overview

By using the inter carrier technology concept, the Video Modem System(VDS) Two Video with Two Alarm unit is designed as to transmit two video signals and two alarm signals from two remote surveillance cameras with two alarm devices to local receiving units. The system includes a remote Sender unit connects to two cameras and two alarm devices, and a local Viewer unit connects to monitor system, DVR equipment and two alarm receiving devices. The Sender and Viewer are linked by only one existed RG-6/U(or better RG-11/U...) Coaxial cable for transmitting signals and supply DC(1Amp Rating, Maximum) from Viewer to Sender to power up the camera. The transmitting distance can up to 500Meter without losing signal.

Note. 1:
Use RG-6/U or better, these cables have an 18 AWG Solid Bare Copper with Foam Polyethylene Dielectric and 95% Bare Copper Braid.

Features

- Two Video signals(cameras) transmission channel.
- Two Alarm signals(larm devices) transmission channel.
- Capable of sending DC power at 1Amp from Viewer to Sender within 500Meters. (see note. 1)
- Alternative Alarm signal types of Normally Open(N.O.), Normally Closed(N.C.) and Impedance (TERM) are provided within the unit.
- Auto DC Power supply system provide stable and sufficient camera DC power.
- Powerful circuitry Protection, as any wrongful link to the system, the system will not provide power.
- + Audio signal optional equipped.



Figure 1. Picture of 2500-R and 2500-L

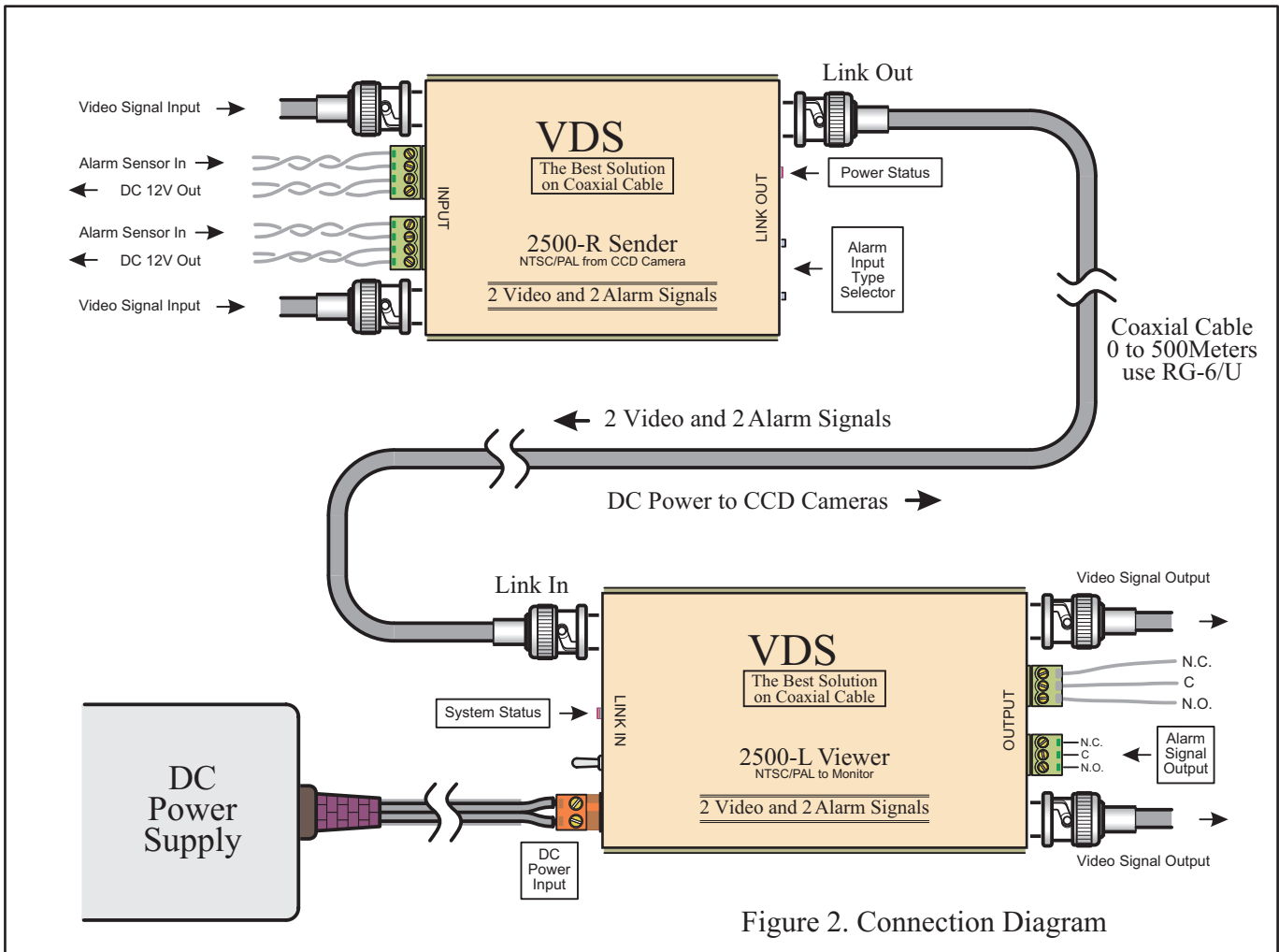


Figure 2. Connection Diagram

Remote unit- Sender

- ! The remote unit connects two video cameras and two alarm devices.
- ! In the front panel of the unit, two separate BNC plugs are provided for two cameras input. Two sets of alarm terminal board of 3.5mm screwdriver sockets are provided for alarm signals connections with one signal-in and one Grounding.
- ! Two sets of 12V DC power are provided for cameras from two sets of terminal boards, with one 12VDC out and one grounding in each set.
- ! In the back panel of the unit, a BNC plug is provided for +40V DC power in(max.), And link out of two videos signals and two alarm signals. Two alarm switching selector with NC, NO and TERM types. Each determine an different alarm input type.
- ! When alarm system is used as TERM(external connected 390 ohms)type, the unit will constantly check the linking status, any disconnection or short circuit will trigger the alarm.
- ! An light indicator shows the current status of the Sender unit. Different colors indicated different status: Red- unit standby, Green- unit in operation, Yellow- DC power low, Flash- power

Local unit- Viewer

- ! The local unit connects to a monitor and an alarm-receiving equipment.
- ! In the back panel of the unit, a BNC plug link-in the remote video and alarm signal, and sending +38V DC(max.) To Sender. An On/Off power switch. A 5.0mm Screwdriver socket with one 40V port and grounding port for DC power-in from power adaptor.
- ! A light indicator show the currents status of the Viewer unit. Different colors indicated different status: Red- unit standdy, Green- unit in operation, Yellow- link initial.
- ! In the front panel of the local unit, two BNC plugs for link out video signals to monitors. Two sets of alarm terminal board of 3.5mm screwdriver sockets are provided for alarm signals

Foresight CCTV, Inc.
 www.foresight-cctv.com info@foresight-cctv.com
 Office: 10 Leavey Court
 North York, Ontario Canada M2H 1E6
 Phone: +416-512-6288
 Fax: +416-225-2889